

Installation Guide

837 Series Concealed-Arm Back-to-Back Lavatory Carrier

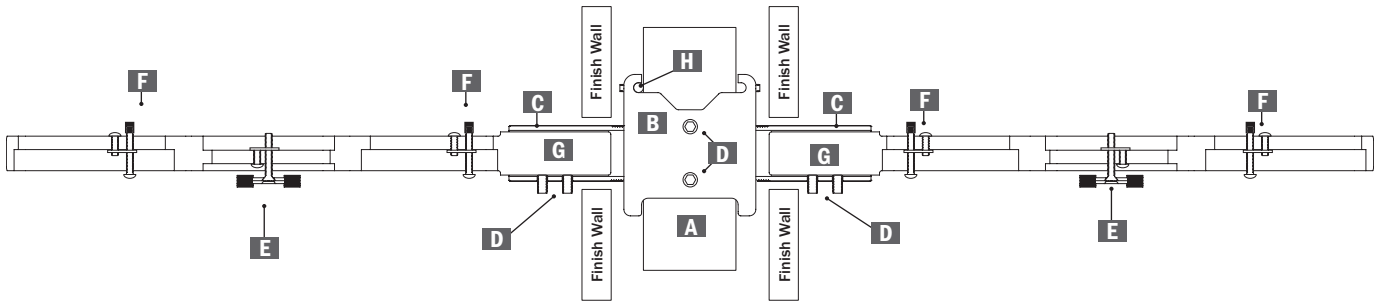
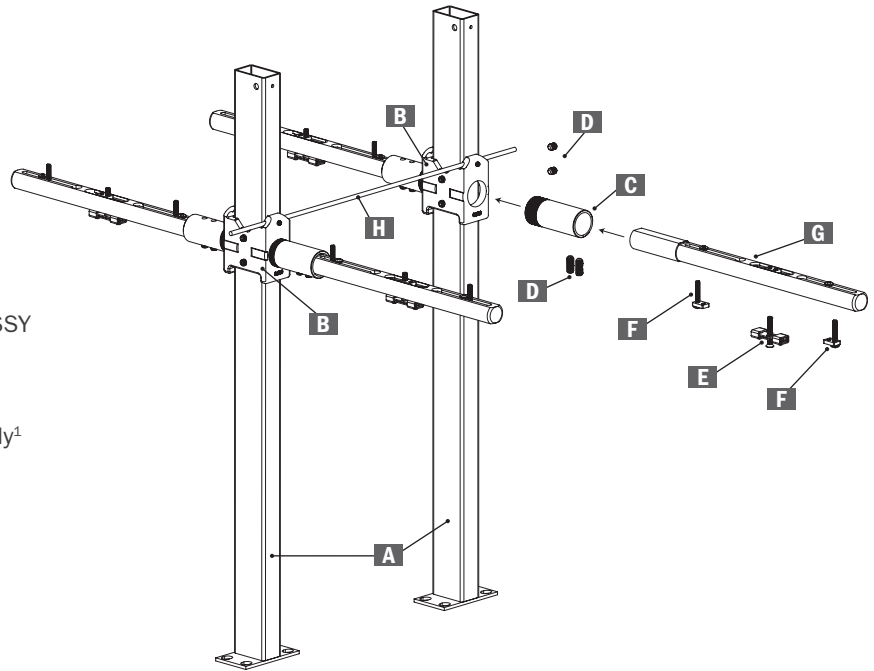


Fig	Qty	Description	Part No
A	2	Steel upright	S4100-36
B	2	Cast iron header	S4200-BBASSY
C	4	Steel sleeve	
D	16	Hex socket set screw	Arm Assembly ¹
E	2	Locking device ²	
F	4	Leveling screw ²	
G	2	Cast iron arm	
H	1	Steel truss rod	S4205



1 Optional Arm Assemblies:

15.75" = S1ARM-ASSY

18.50" = S2ARM-ASSY

22.25" = S3ARM-ASSY

2 Hardware pack (included in Arm Assembly) = HW5000

- STEP 1:** Slide cast iron adjustable header couplings over rectangular steel uprights with the large diameter threads facing towards fixtures. Hand tighten the set screws (4 ea) on the sides of the header.
- STEP 2:** Space the uprights apart, according to the fixture manufacturer's rough in dimensions. Insert the truss rod between the header couplings and secure into place.
- STEP 3:** Place uprights in correct position and anchor to floor using 1/2" bolts (not included). A minimum of two diagonally placed bolts per upright are recommended for proper installation.
- STEP 4:** Verify header coupling elevation and width and then tighten all (8) set screws.
- STEP 5:** Screw threaded sleeve into the header coupling. Set screws should be located at the bottom. The threaded sleeve may not be fully tightened.
- STEP 6:** Insert cast iron concealed arm into threaded sleeve when installing fixture. Adjust overall length of arm and tighten set screws in bottom of sleeve.
- STEP 7:** Position leveling screws and locking device. Install and level fixture and tighten locking device to secure into place.